



Type EPZ

## Technical specification

Part number: Please refer to page 10 for part numbering system

### Features

- Available in brass, stainless steel and aluminium
- Various threadforms available

### Benefits

- Provides an earthbound connection for an entry component

### Materials

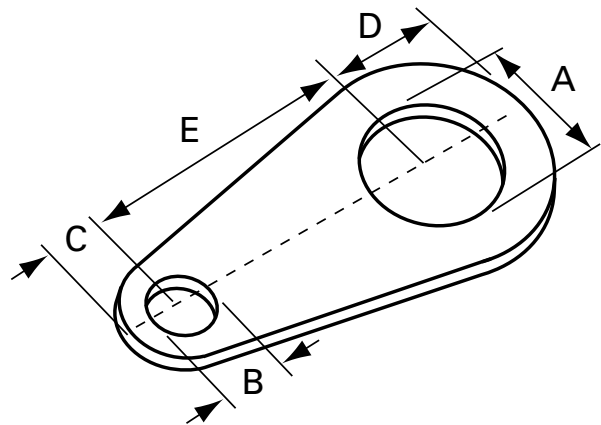
- Brass CZ121
- 316 stainless steel
- Aluminium

### Threadforms

- Metric
- NPT
- NPSM
- PG
- ISO pipe (BSP)
- ET

### Plating options

- Electroless nickel
- Zinc
- Others on application



## Dimensions of metric versions \*For information only - shape of product / outer diameters may change.

Size A	Thickness	B	C	D	E
M16	1.40	7.00	7.00	13.50	35.30
M20	1.40	7.00	7.00	13.50	35.30
M25	1.40	10.50	10.00	18.50	41.40
M32	1.40	12.00	13.00	23.30	53.90
M40	1.40	14.00	17.50	26.30	60.00
M50	1.40	14.00	17.50	32.10	76.10
M63	1.40	14.00	17.50	39.50	84.00
M75	1.40	14.00	17.50	44.00	94.50