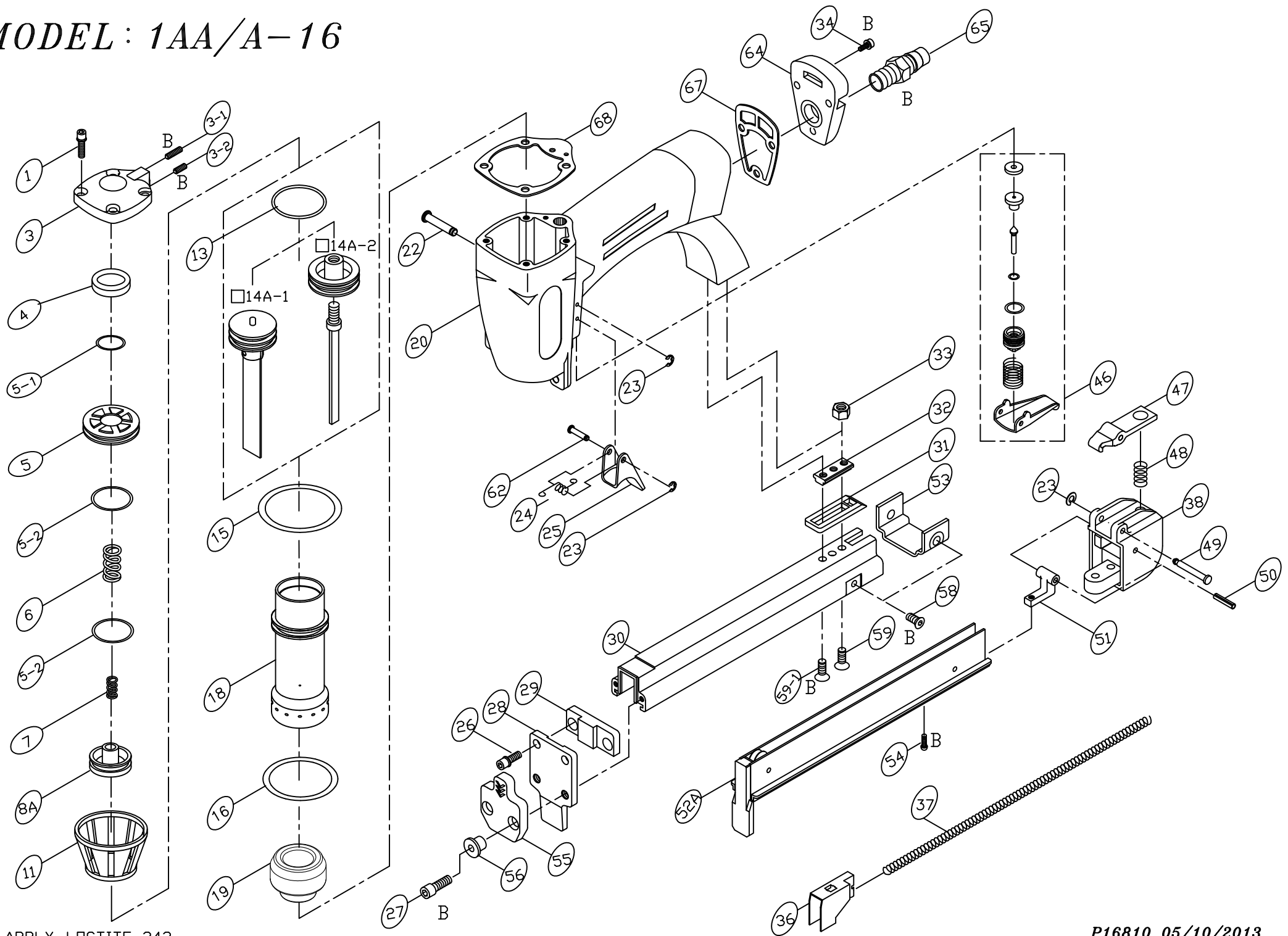


MODEL : 1AA/A-16



*B : APPLY LOCTITE 242

PARTS LIST (1AA/A-16)

***WHEN ORDERING SPARE PARTS, PLEASE STATE ITEM No, PART NO. AND DESCRIPTION.**

ITEM	PART NO	DESCRIPTION	QTY	ITEM	PART NO	DESCRIPTION	QTY	ITEM	PART NO	DESCRIPTION	QTY
01	HS05080BW-16	HEX. SOC. HD. BOLT+SW	4	37	10404301	SPRING	1				
03	16800301	CAP	1	38	16803801	END COVER	1				
03-1	SS06100B-04	SET SCREW	1	46	10203001A	TRIGGER VALVE ASSEMBLY	1				
03-2	SS04070B-04	SET SCREW	1	47	13908101	STOPPER	1				
04	10200501	SEAL	1	48	11106001	SPRING**	1				
05	16801301	PISTON STOPPER	1	49	13908401	STEPPED PIN	1				
05-1	OR11824N	O RING**	1	50	RP3022S	ROLLED PIN	1				
05-2	OR27025N	O RING**	2	51	19004801	SET PLATE	1				
06	16800501	SPRING**	1	52A	19604001A	STAPLE GUIDE UNIT	1				
07	10200401	SPRING**	1	53	10205301	SET PLATE	1				
08A	10200801A	HEAD VALVE ASM.	1	54	HS04070B-10	HEX. SOC. HD. BOLT	2				
11	10201201	COLLAR	1	55	16805501	NOSE COVER	1				
13	OR17730N	O RING**	1	56	16805601	SOCKET	2				
14A-1	19100801A	DRIVER ASSEMBLY**	1	58	FH04070B1-06	FLAT. HD. BOLT	2				
14A-2	19100803A	DRIVER ASSEMBLY**	1	59	FH04070B-20	FLAT. HD. BOLT	1				
15	OR31824N	O RING**	1	59-1	FH04070B-12	FLAT. HD. BOLT	1				
16	OR25020N	O RING	1	62	10206201	STEPPED PIN	1				
18	16801801	CYLINDER	1	64	16806401	END CAP	1				
19	16801901	BUMPER	1	65	12106401	AIR PLUG	1				
20	16802002	BODY	1	67	16806702	GASKET	1				
22	10202201	STEPPED PIN	1	68	16806802	GASKET**	1				
23	ER0250R	E RING	3								
24	11009101	TOR. SPRING	1								
25	11002801	TRIGGER	1								
26	HS05080BW-18	HEX. SOC. HD. BOLT+SW	2								
27	HS04070B-16	HEX. SOC. HD. BOLT	2								
28	19103601	NOSE	1								
29	10703801	SET PLATE	1								
30	19103801	MAGAZINE	1								
31	16803101	SET PLATE	1								
32	19003902	SET PLATE	1								
33	LN0400N	LOCK NUT	1								
34	HS04070BW-16	HEX. SOC. HD. BOLT+SW	3								
36	19104501	PUSHER	1								